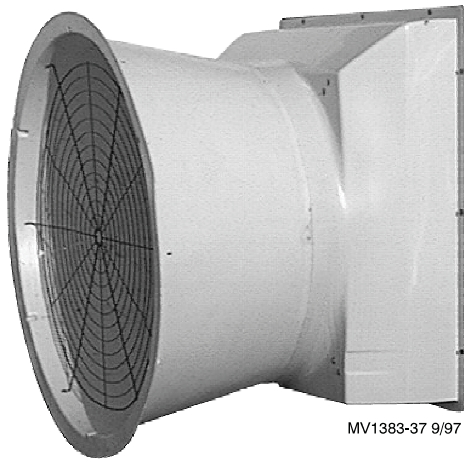
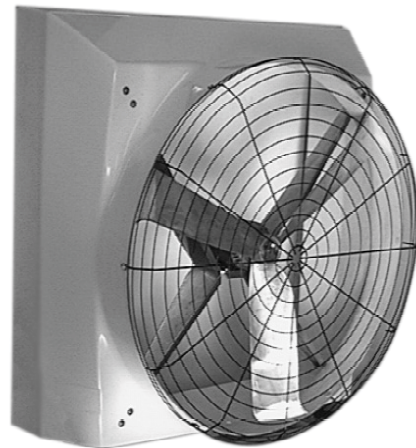


Turbo[®] Fiberglass Cone Fan and Grill Fan 36" Direct Drive

Installation & Operator's Instruction Manual



MV1383-37 9/97



MV1384-7 7/97

Chore-Time TURBO® Fan Extended Warranty

Chore-Time Equipment warrants new TURBO® Fans and components manufactured by it to be free from defects in material or workmanship from the date of initial installation by the original purchaser until expiration of the appropriate period set forth below. If such a defect is found by Chore-Time to exist within the applicable period, Chore-Time will, at its option, (a) repair or replace such product free of charge, F.O.B. the factory of manufacture, or (b) refund to the original purchaser the original purchase price, in lieu of such repair or replacement. The extended warranty is provided to the original purchaser for the following periods:

- *1. **TURBO® Fan** fiberglass housings and cast aluminum blades - for as long as the original purchaser owns the product.
- *2. **TURBO® Fan** motors and bearings - for two years from date of installation.
- *3. **TURBO® Fan** components, including plastic shutters and polyethylene cones - for three years from date of installation.

Conditions and Limitations

1. The product must be installed by and operated in accordance with the instructions published by the **Manufacturer or Warranty will be void.**
2. Warranty is void if **all components** of the system are not original equipment supplied by the **Manufacturer.**
3. This product must be purchased from and installed by an authorized distributor or certified representative thereof or the Warranty will be void.
4. Malfunctions or failure resulting from misuse, abuse, negligence, alteration, accident, or lack of proper maintenance shall not be considered defects under the Warranty.
5. This Warranty applies only to systems for the care of poultry and livestock. Other applications in industry or commerce are not covered by this Warranty.

The **Manufacturer** shall not be liable for any **Consequential or Special Damage** which any purchaser may suffer or claim to suffer as a result of any defect in the product. **“Consequential”** or **“Special Damages”** as used herein include, but are not limited to, lost or damaged products or goods, costs of transportation, lost sales, lost orders, lost income, increased overhead, labor and incidental costs and operational inefficiencies.

THIS WARRANTY CONSTITUTES THE MANUFACTURER’S ENTIRE AND SOLE WARRANTY AND THIS MANUFACTURER EXPRESSLY DISCLAIMS ANY AND ALL OTHER WARRANTIES, INCLUDING, BUT NOT LIMITED TO, EXPRESS AND IMPLIED WARRANTIES AS TO MERCHANTABILITY, FITNESS FOR PARTICULAR PURPOSES SOLD AND DESCRIPTION OR QUALITY OF THE PRODUCT FURNISHED HEREUNDER.

Chore-Time Distributors are not authorized to modify or extend the terms and conditions of this Warranty in any manner or to offer or grant any other warranties for Chore-Time products in addition to those terms expressly stated above. An officer of CTB, Inc. must authorize any exceptions to this Warranty in writing. The Manufacturer reserves the right to change models and specifications at any time without notice or obligation to improve previous models.

CTB Inc.
P.O. Box 2000 • Milford, Indiana 46542-2000 • U.S.A.
Phone (574) 658-4101 • Fax (877) 730-8825
E-Mail: ctb@ctbinc.com • Internet: <http://www.ctbinc.com>

Table of Contents

Topic	Page	User*
Chore-Time TURBO [®] Fan Extended Warranty.....	2	C
Support Information	4	C,D,I
Distributor and Installer Information	4	C,D,I
Safety Information	5	C,I
Safety–Alert Symbol.....	5	
Signal Words.....	5	
DANGER: Electrical Hazard.....	5	
Tools Required for Installation	5	I
Decal Location	6	C,I
Planning the Installation	7	C,I
Installation Instructions	8	I
Fan Installation	8	
Installing the Cone or Grill to the Fiberglass Fan.....	9	
Wiring.....	10	
Shutter Installation	11	
Maintenance	12	C
Motor Specifications and Part No.	12	C,I
Fan Parts List	13	C
Direct Drive TURBO [®] Fan	13	
Plastic Shutter.....	14	

*Legend: C = Customer (end user), D = Distributor (sales), I - Installer of equipment

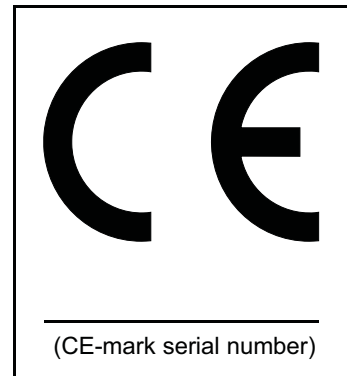
Support Information

Chore-Time TURBO® Cone & Grill Fans are designed to be used as exhaust fans in corrosive environments. The primary components are made from plastic or stainless steel materials. Using this equipment for any other purpose or in a way not within the operating recommendations specified in this manual will void the warranty and may cause personal injury.

This manual is designed to provide comprehensive planning, installation, operation, and parts listing information. The Table of Contents provides a convenient overview of the information in this manual. The Table of Contents also specifies which pages contain information for the sales personnel, installer, and consumer (end user).

IMPORTANT: CE stands for certified Europe. It is a standard which equipment must meet or exceed in order to be sold in Europe. CE provides a benchmark for safety and manufacturing issues. **CE is required only on equipment sold in Europe.**

Chore-Time Equipment recognizes CE Mark and pursues compliance in all applicable products. *Fill in the CE-Mark serial number in the blank space provided for future reference.*



Distributor and Installer Information

Please fill in the following information about your Product.
Keep this manual in a clean, dry place for future reference.

Distributor's Name _____

Distributor's Address _____

Distributor's Phone _____ **Date of Purchase** _____

Installer's Name _____

Installer's Address _____

Installer's Phone _____ **Date of Installation** _____

System Specifications _____

Safety Information

Caution, Warning and Danger Decals have been placed on the equipment to warn of potentially dangerous situations. Care should be taken to keep this information intact and easy to read at all times. Replace missing or damaged safety signs.

Using the equipment for purposes other than specified in this manual may cause personal injury and or damage to the equipment.

Safety–Alert Symbol

This is a safety–alert symbol. When you see this symbol on your equipment, be alert to the potential for personal injury. This equipment is designed to be installed and operated as safely as possible...however, hazards do exist.



Signal Words

Signal words are used in conjunction with the safety–alert symbol to identify the severity of the warning.

DANGER..... indicates an imminently hazardous situation which, if not avoided, **WILL** result in death or serious injury.



DANGER

WARNING indicates a potentially hazardous situation which, if not avoided, **COULD** result in death or serious injury.



WARNING

CAUTION..... indicates a hazardous situation which, if not avoided, **MAY** result in minor or moderate injury.



CAUTION

DANGER: Electrical Hazard

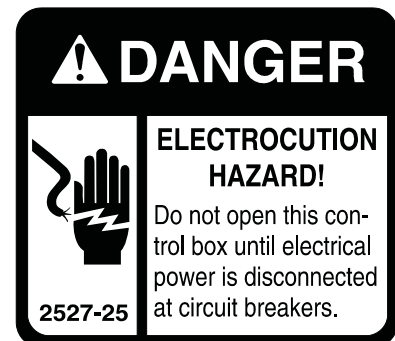
Disconnect electrical power before inspecting or servicing equipment unless maintenance instructions specifically state otherwise.

Ground all electrical equipment for safety.

All electrical wiring must be done by a qualified electrician in accordance with local and national electric codes.

Ground all non-current carrying metal parts to guard against electrical shock.

With the exception of motor overload protection, electrical disconnects and over current protection are not supplied with the equipment.

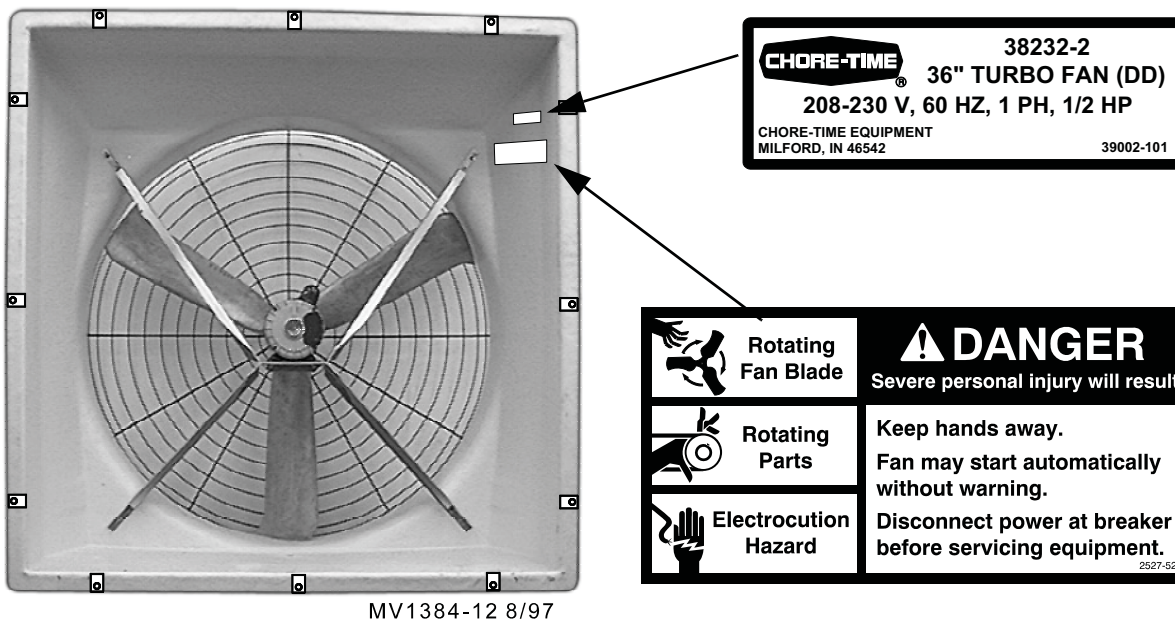


Tools Required for Installation

1. Regular Slotted Screwdriver
2. Wire Cutters
3. Wire Strippers
4. Adequate Electrical Wire
5. Electrical Drill & Drill Bits
6. Another person to help

Decal Location

This diagram shows the proper location of the safety decal as shipped from the factory. Replace damaged or missing decals. Make sure the decals can be easily seen at all times.



Planning the Installation

Carefully plan the installation.

Dimensions are provided for the 36" TURBO® Fans with Cones (**Figure 1**) and without cones (**Figure 2**). Be sure to allow enough space to install fans without interfering with other fans or equipment that may be installed at a later date.

Note: See page 8 for framed opening size.

Important: Cones are wider than the actual opening cut into wall. Thus, dimension "C" must be no less than that listed in chart below.

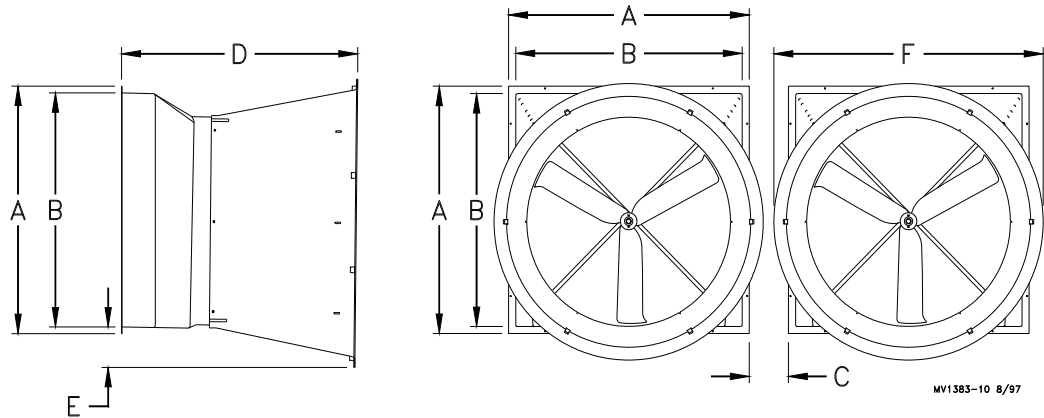


Figure 1. Planning and Layout Diagram for Cone Fans

A	B Rough Frame Opening	C Minimum	D	E	F
45.38" (115.27 cm)	43.00" (109.22 cm)	12.00" (30.48 cm)	47.00" (119.38 cm)	6.85" (17.40 cm)	52.38" (133.05 cm)

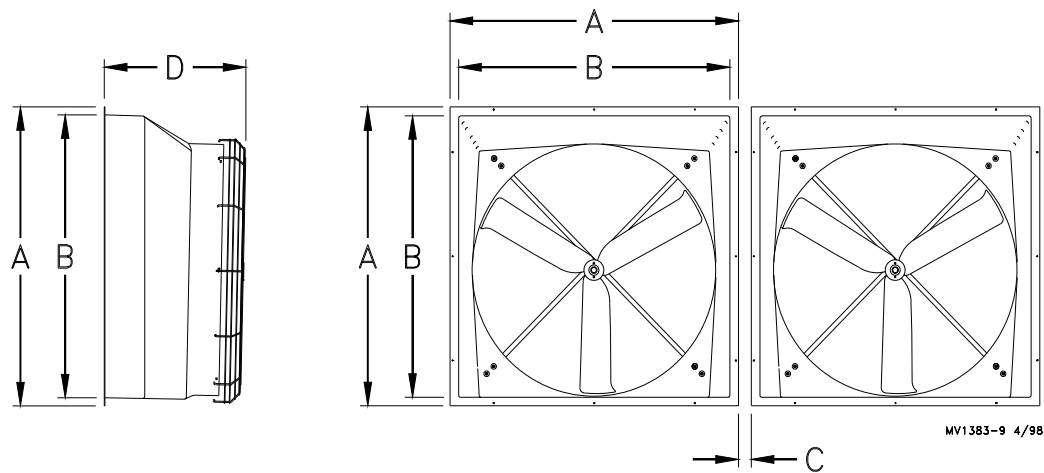


Figure 2. Planning and Layout Diagram for Grill Fans

A	B Rough Frame Opening	C Minimum	D
45.38" (115.27 cm)	43.00" (109.22 cm)	0" (0.00 cm)	27.00" (68.58 cm)

Installation Instructions

Fan Installation

1. Cut a opening in the wall to house the fan—the required wall opening is provided in the chart below. **See Figure 3.**
2. Construct a frame in the opening of the wall for the fan using 2" x 6" (50 x 152 mm) lumber—not supplied. Make sure framing is square and level. Fan assembly will set on the bottom framing member.

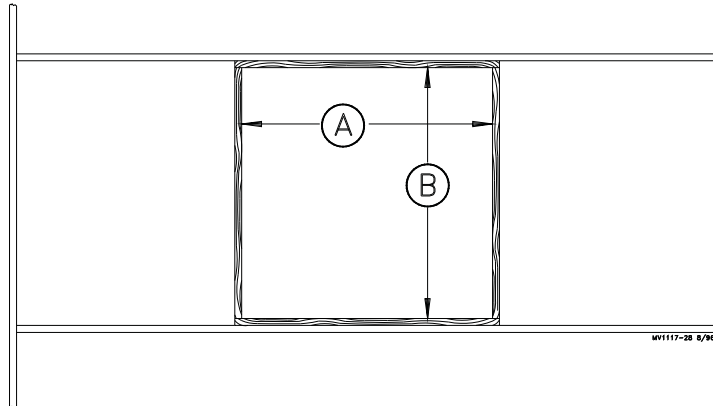
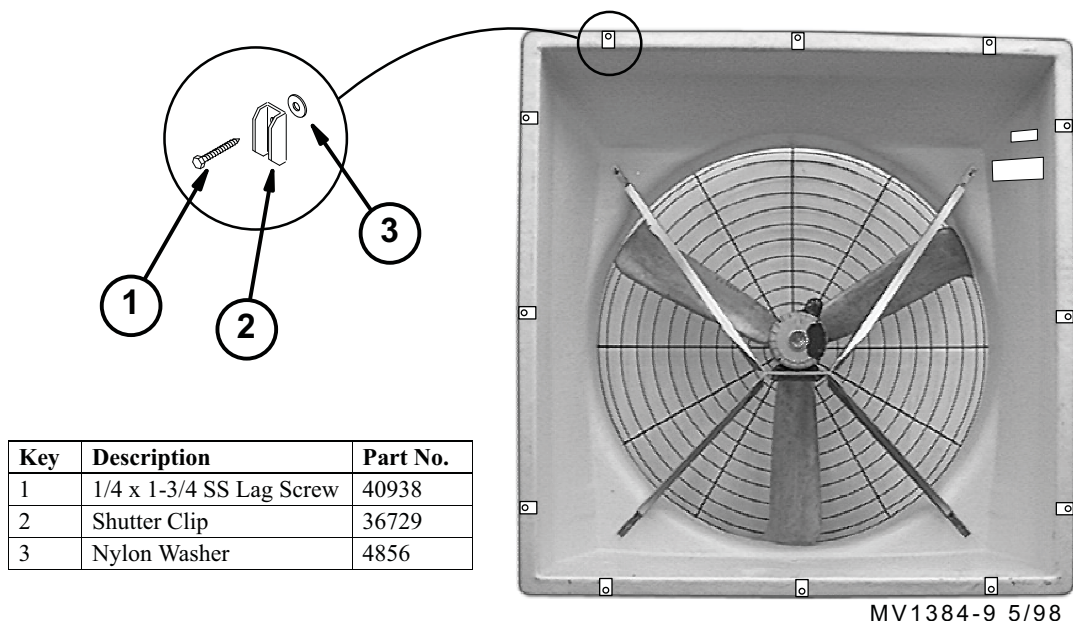


Figure 3. Framing Diagram

Minimum Dimension	
A	B
43.00" (109.22 cm)	43.00" (109.22 cm)

3. Insert the Fan Assembly in the wall opening and secure using the (12) 1/4 x 1-3/4" Lag Screws, Shutter Clips, and Nylon Washers provided. The Shroud is pre-drilled (3 holes per side). The hardware must be installed as shown in **Figure 4** below. This allows for rotation of the Shutter Clips when installing Shutter



Key	Description	Part No.
1	1/4 x 1-3/4 SS Lag Screw	40938
2	Shutter Clip	36729
3	Nylon Washer	4856

MV1384-9 5/98

Figure 4. Fan Assembly

Installing the Cone or Grill to the Fiberglass Fan

Fiberglass Cone Fan:

1. Slide the Cone onto the Shroud—the Shroud fits inside the Cone. **See Figure 5.**
4" slots are cut into the edge of the cone to allow expansion as the cone is slide onto the shroud.
Align the holes in the Cone with the slots in the Shroud.
Insert the (6) Wafer Head Bolts from inside the Shroud through the Cone and thread the Flange Nuts onto ends of the Wafer Head Bolts.
2. Snap the Cone Grill into the slots on the outlet end of the Cone.

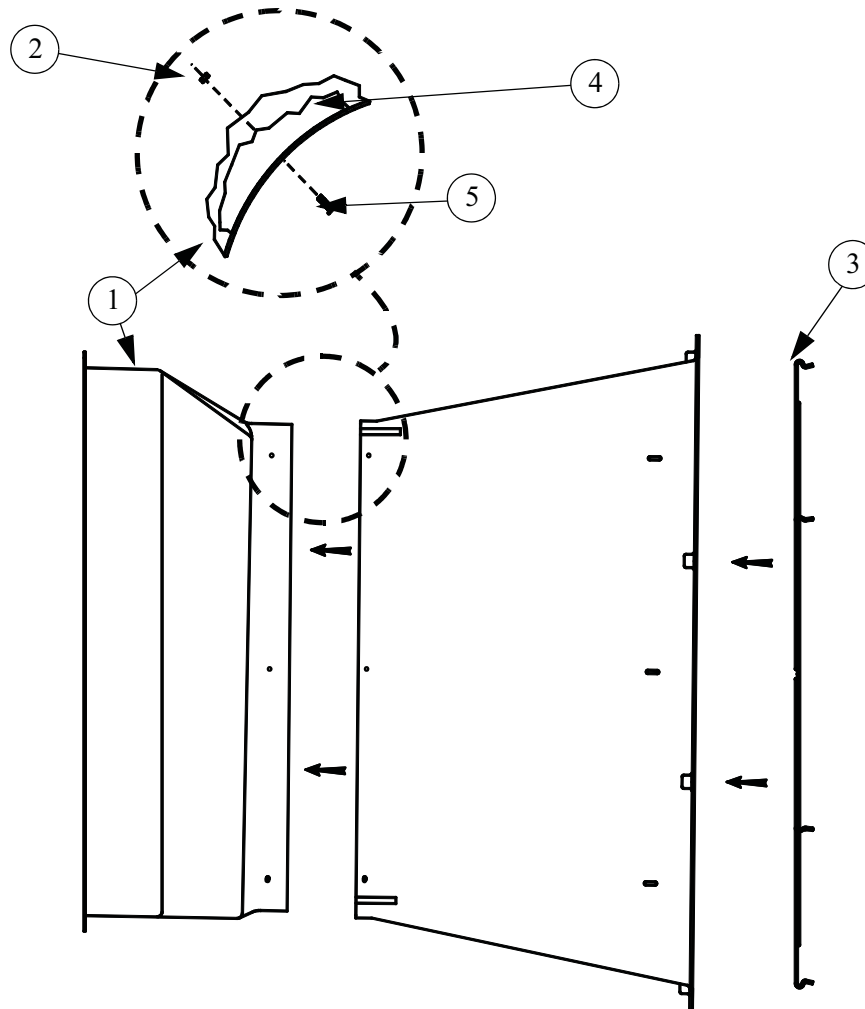


Figure 5. Cone Installation

Key	Description	Part No.
1	Shroud	38590
2	1/4-20 SS Hex Ser. Flange Nut	46298
3	Cone Grill	35228
4	Cone	38267
5	1/4-20 x 7/8 Wafer Head Bolt	40775

Fiberglass Grill Fan:

1. Align the holes in the Grill with the slots in the Shroud.
2. Insert the (6) Wafer Head Bolts from inside the Shroud through the Grill and thread the Flange Nuts onto the ends of the Wafer Head Bolts.

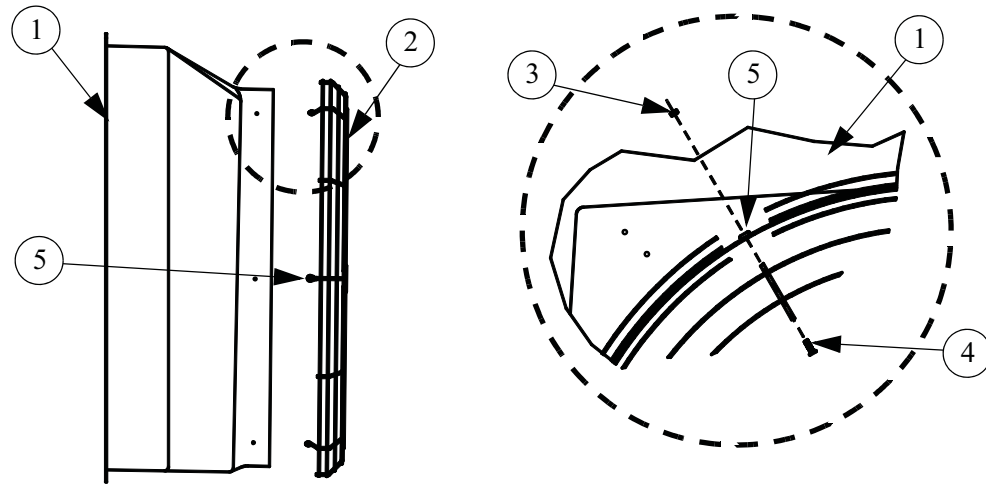


Figure 6. Grill Installation

Key	Description	Part No.
1	Shroud	38590
2	Shroud Grill	37920
3	1/4-20 SS Hex Ser. Flange Nut	46298
4	1/4-20 x 7/8 Wafer Head Bolt	40775
5	Shroud Grill Mounting Loop	--

Wiring

1. See Wiring diagram on Motor for Motor electrical connections. Follow local, state, and national electrical codes for wiring
2. Install an electrical disconnect within reach of each Fan.
3. Route the motor cord (not supplied) toward the upper left corner of the Fan and attach the cord to the Motor Mount using the three Cable Ties—included in the hardware package.

Note: If an Aluminum Shutter will be installed, route the motor cord through the Rubber Grommet—included in the hardware package see Figure 7.

Some installations may require an exit hole for the motor cord to be drilled in the side of the Shroud. These installations must have electrical wires routed through conduit.

Note: Make sure the conduit or wires do not interfere with the Fan Blades or Shutter operation.

Shutter Installation

Plastic and Aluminum Shutters are available for the 36" Fans. Installation is identical except where noted. See below.

1. If you have a Plastic Shutter—cut a 3/8" slot in the upper left flange of the Shutter frame in order to route the electrical cord out the back.
2. If you have an Aluminum Shutter, route the electrical cord through the notch in the top of the Shutter Frame. Make sure the Grommet is installed correctly in the notch in the Shutter Frame. See Figure 7
3. Position the Shutter, centered in the Fan Shroud, and rotate the Shutter Clips to lock the Shutter in place. Check the Shutter for proper operation—the shutter must be able to open and close freely without obstructions.

Note: Make sure the electrical conduit and wire does not interfere with the Fan Blades or Shutter operation.

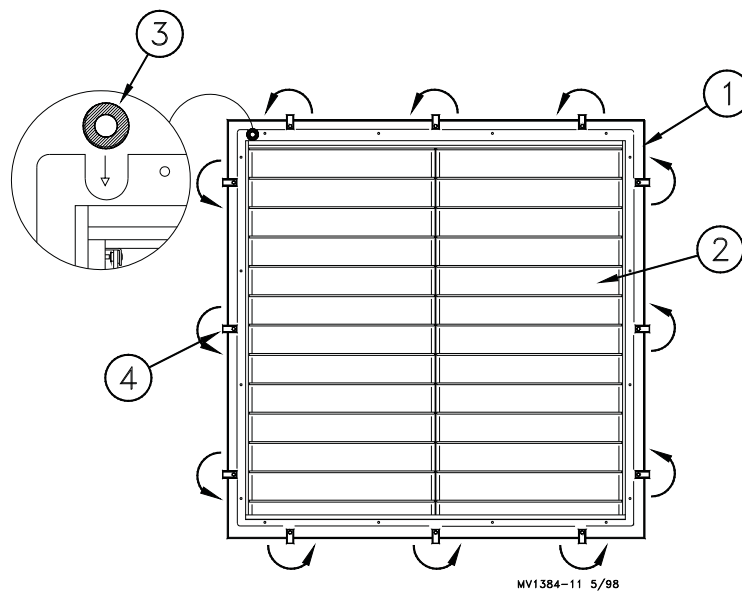


Figure 7. Shutter Installation

Key	Description	Part No.
1	Shroud	38590
2	Shutter (plastic) Shutter (aluminum)	38027 38259
3	Grommet (aluminum shutter only)	7256
4	Shutter Clip	36729

Maintenance



Service and maintenance of fans should be done only by a qualified technician.

Disconnect Power prior to maintaining or cleaning the fan! The fan may start automatically causing injury or death.

1. Keep the fan clean for maximum life and best performance.
2. Clean Shutter, Cone and Shroud for maximum life and performance.
3. The Fiberglass Fans are shipped with the Danger Decal fastened to the Fan Shroud. Always keep the Decal clean and readable.

If the Decals becomes damaged or unreadable, order replacement Decals immediately.

Clean the Shroud at the approximate location where the Decal will be placed.

Peel the backing off the Decal and affix it to the Shroud.

Motor Specifications and Part No.

Fan Specifications (assembled)		Motor Specifications				
Description	*Part No.	Voltage	HZ	Phase	HP	Motor P/N
Fiberglass Cone	38265-362X	208/230	60	1	.5	37737
	38265-364X	208/230-460	60	3	.5	38911
Grill	38947-362X	208/230	60	1	.5	37337
	38947-364X	208/230-460	60	3	.5	38911

* Replace the "X" in fan P/N with "1" for an aluminum Shutter, "2" for a plastic shutter.

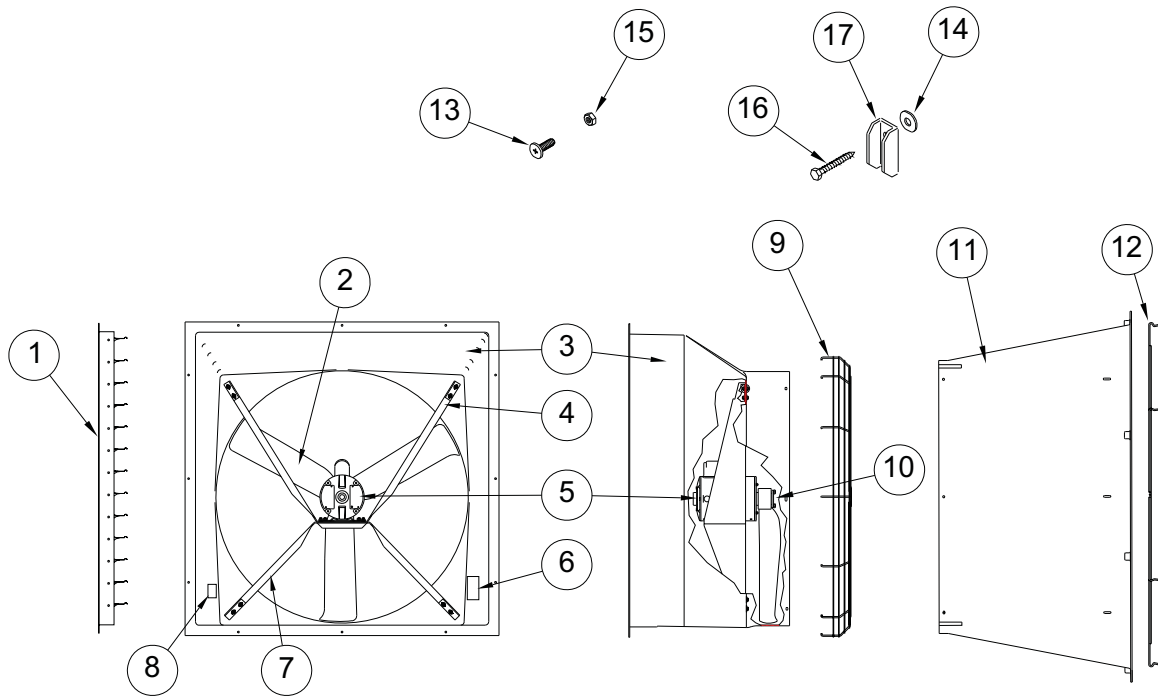
Important!

Chore-Time Equipment strongly recommends that a good alarm system should be installed in confinement buildings to warn of power failure and high temperature.

Chore-time Equipment also recommends that an alternate power source be available for confinement buildings in case of power failure.

Fan Parts List

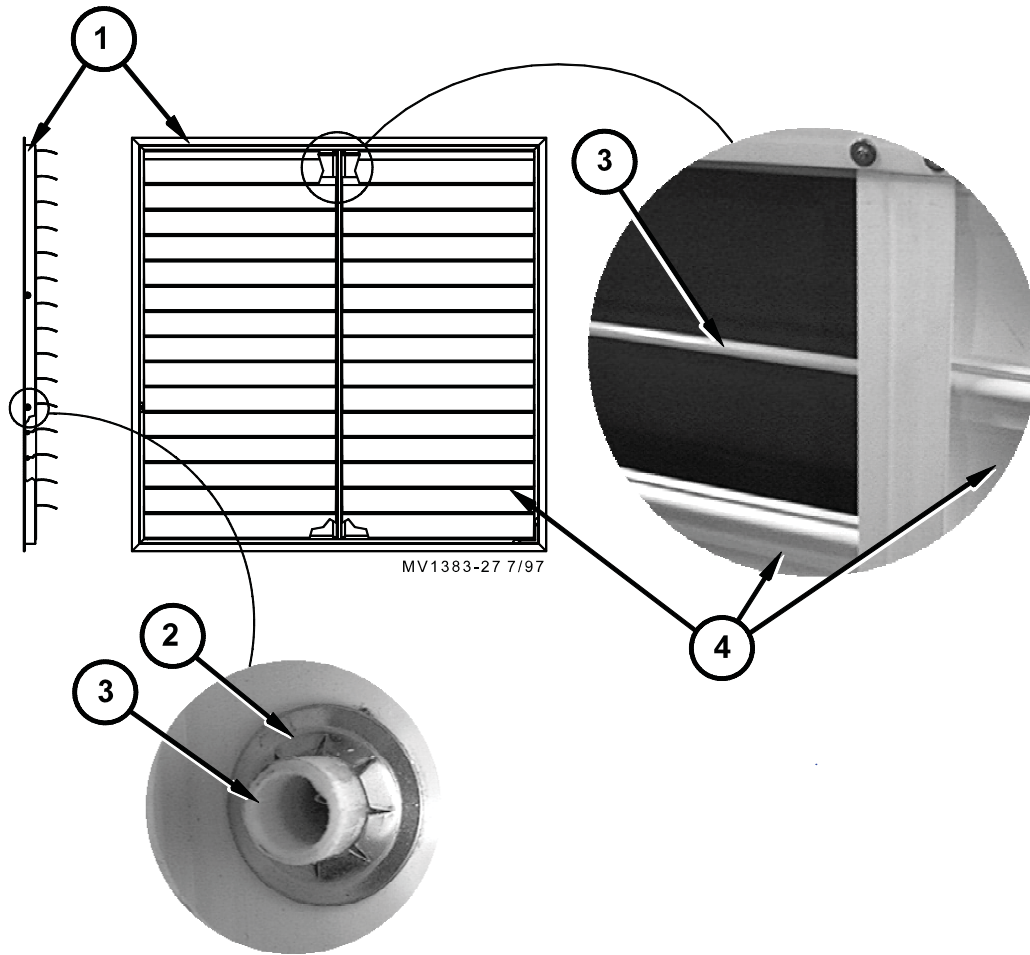
Direct Drive TURBO® Fan



Item	Description	Part No.
1*	Shutter (plastic) Shutter (aluminum)	38027 38259
2	Cast Aluminum Blade	38902
3	Fiberglass Shroud	37913
4	Fan Upper Motor Mount	37738
5	Motor	*
6	Danger Decal	2527-52
7	Lower Motor Mount	37739
8	Identification Decal	—
9	Shroud Grill	37920
10	Taper Lock Hub	38907
11	Plastic Outlet Cone	38267
12	Cone Grill	35228
13	1/4-20 x 7/8 Wafer Head Bolt	40775
14	Nylon Washer	4856
15	1/4-20 SS Hex Ser. Flange Nut	46298
16	1/4 x 1-3/4 SS Lag Screw	40938
17	Shutter Clip	36729

Notes: * See page 12 for part numbers.

Plastic Shutter



Item	Description	Part No.
1	Shutter (plastic)	38027
2	Push Nut, 1/4"	38032
3	Shutter Rod Pivot	38702-2
4	Shutter Louver	38038-2

This Page Intentionally Left Blank



**Made to work.
Built to last.**

Revisions to this Manual

Page No.	Description of Change
Various	Changed (8916) Nylon Nut to (46298) SS Hex Serrated Nut. Deleted Nylon Washer (4856).

Contact your nearby Chore-Time distributor or representative for additional parts and information.

**CTB, Inc.
P.O. Box 2000
Milford, Indiana 46542-2000 U.S.A.
Phone: 574-658-4101 • E-Mail: ctb@ctbinc.com**

Printed in the U.S.A